

Automatic Pump Controllers | Float Switch | Health Faucet | Ventilating Fan





**AUTOTEX** Unit 1



**AUTOCOATS**



**AUTOTEX** Unit 2 - World Class Infrastructure



**AUTOTEX** Unit 2

## **WELCOME TO AUTOTEX**

Try our products - Trying is ensuring  
See the difference - Seeing is believing

## VALUE OF ENTERPRISE

---

Autotex has been manufacturing various products for Textile, Automobile, Water pump accessories, Bath fittings, Ventilating fan, Material Handling and Poultry equipments since 1988. In this time span our company has grown as leading manufacturers of engineering products of above various industries with immense quality standards of the products nature.

Our quest for quality starts from R&D, design and ends at customer point. The stringent in-house quality measures and quality standards has proved and been accepted by the leading OEM's around the globe and have proud customers in more than 30 countries for our products. Our customers prefer us, for our continuous developments through research, proven quality standards, On-time Delivery, best pricing.

This forms the basis for highly structured activity at Autotex to develop and produce superior products. Our responsibility does not end with just supply of products, we strongly believe in after sales service - a key area contributing towards total customers satisfaction.

We are certified by TUV – SUD for ISO 9001 Quality Management System, and maintaining for our improvements.

Our products are certified for CE marking | RoHS and comply with the European test requirements.

## OUR CAPABILITIES

---

**2 MILLION+**

Pump Controllers & Float Switch

**200+**

Brands

**1 MILLION+**

Ventilating Fans

**50+**

Countries

## PRODUCTS



Our Products are known for just one thing. **- Performance -**





# VENTILATING FAN

## AXIAL & ROUND SERIES

Suitable for  
Kitchen, Office, Bedroom, Bathroom

## VENTILATING FAN - A SERIES

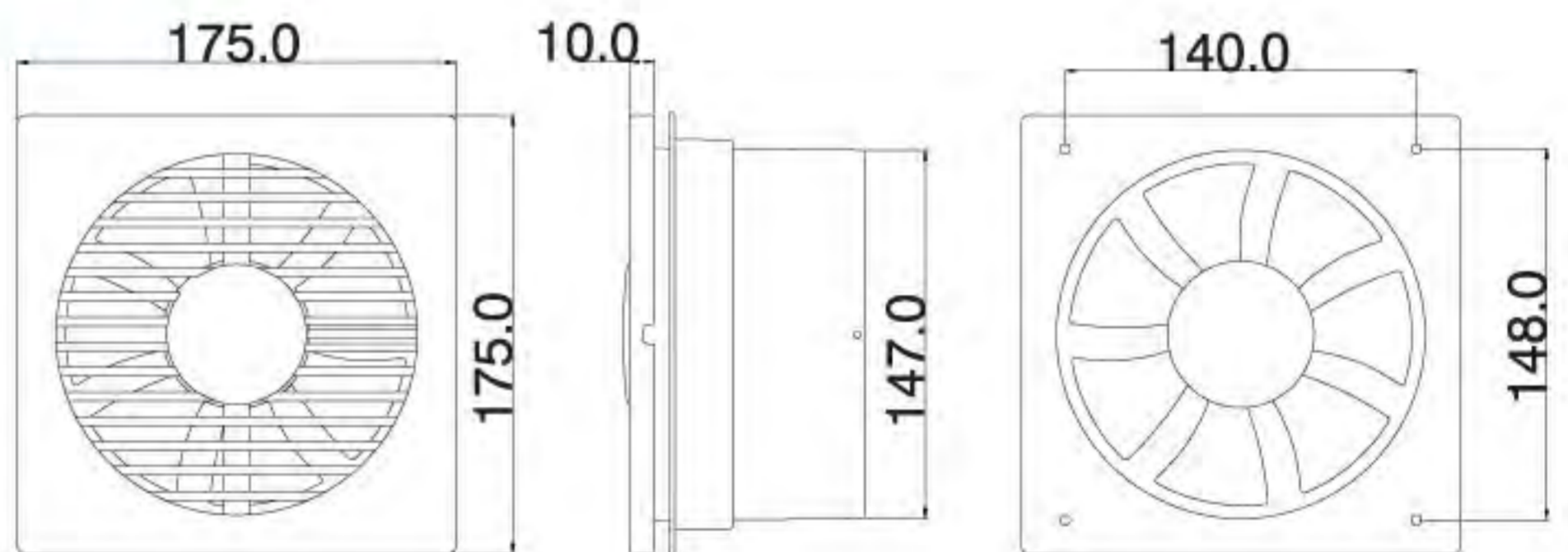
### VF-A6-V1



#### Features:

- Silicon steel motor.
- 100% Pure copper winding for long life.
- 7-Blade design for high air volume and low noise on operation.
- Built-in-thermal cut-out protector for safer use.
- Brilliant performance.
- Noiseless & Energy efficient.
- Easy to install on Wall / Glass

#### Dimension:



#### Applications:

Bathroom

Kitchen

Bedroom

Office

#### Specification:

Product	Current	Frequency	Size		Power	Air Volume	RPM	Noise	Packing Size	Quantity	Gross Wt.
	V	Hz	mm	in	W	m <sup>3</sup> /h	r/min	dB(A)	mm	Pcs.	Kg.
A6	220-240	50	150	6	20	220	2200	50	390 x 320 x 400	12	9.9

#### Colours:



White



Ivory



Black



## VENTILATING FAN - A SERIES

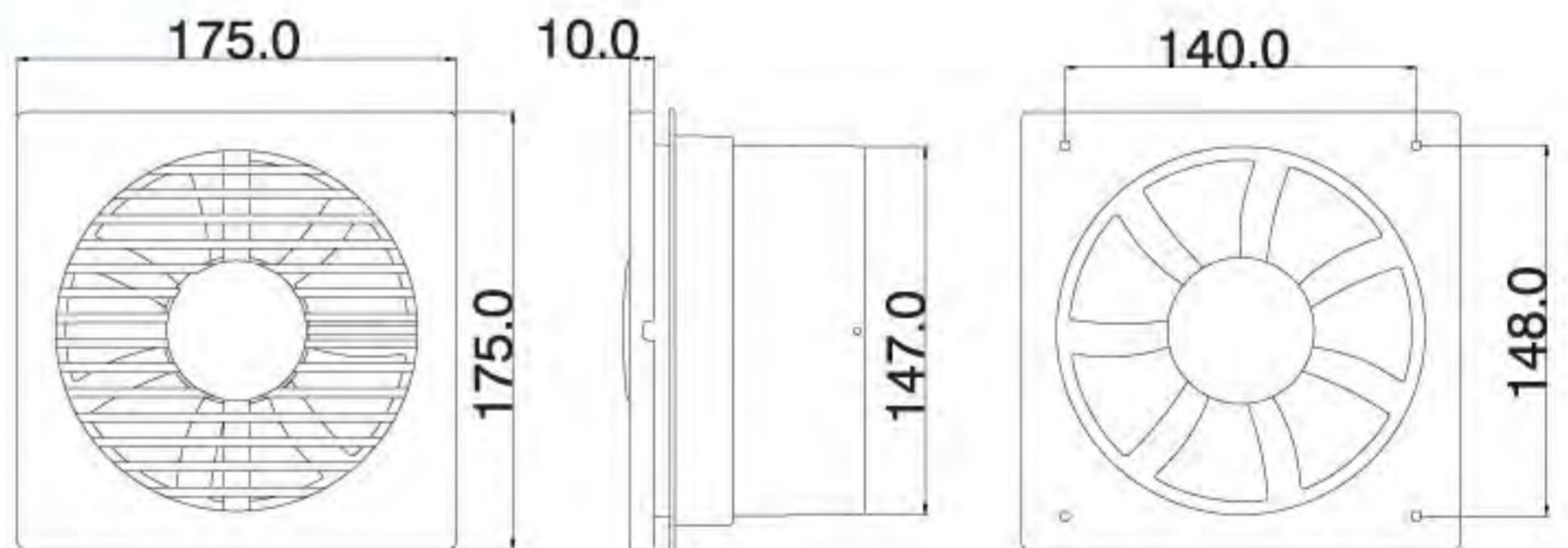
### VF-A6-L1



#### Features:

- Silicon steel motor.
- 100% Pure copper winding for long life.
- 7-Blade design for high air volume and low noise on operation.
- Built-in-thermal cut-out protector for safer use.
- Brilliant performance.
- Noiseless & Energy efficient.
- Easy to install on Wall / Glass

#### Dimension:



#### Applications:

Bathroom

Kitchen

Bedroom

Office

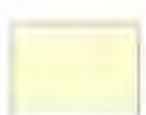
#### Specification:

Product	Current	Frequency	Size		Power	Air Volume	RPM	Noise	Packing Size	Quantity	Gross Wt.
	V	Hz	mm	in	W	m <sup>3</sup> /h	r/min	dB(A)	mm	Pcs.	Kg.
A6	220-240	50	150	6	20	220	2200	50	390 x 320 x 400	12	9.9

#### Colours:



White



Ivory



Black



## VENTILATING FAN - A SERIES

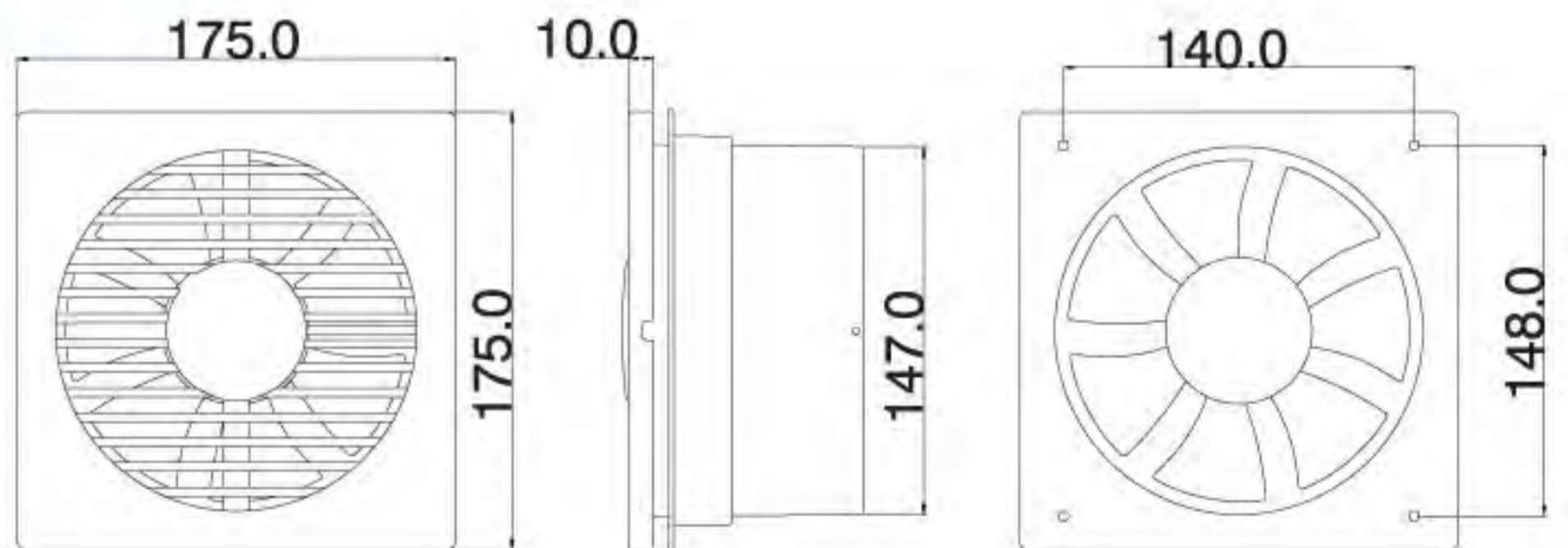
### VF-A6-C1



#### Features:

- Silicon steel motor.
- 100% Pure copper winding for long life.
- 7-Blade design for high air volume and low noise on operation.
- Built-in-thermal cut-out protector for safer use.
- Brilliant performance.
- Noiseless & Energy efficient.
- Easy to install on Wall / Glass

#### Dimension:



#### Applications:

Bathroom

Kitchen

Bedroom

Office

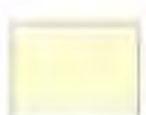
#### Specification:

Product	Current	Frequency	Size		Power	Air Volume	RPM	Noise	Packing Size	Quantity	Gross Wt.
	V	Hz	mm	in	W	m <sup>3</sup> /h	r/min	dB(A)	mm	Pcs.	Kg.
A6	220-240	50	150	6	20	220	2200	50	390 x 320 x 400	12	9.9

#### Colours:



White



Ivory



Black





## VENTILATING FAN - A SERIES

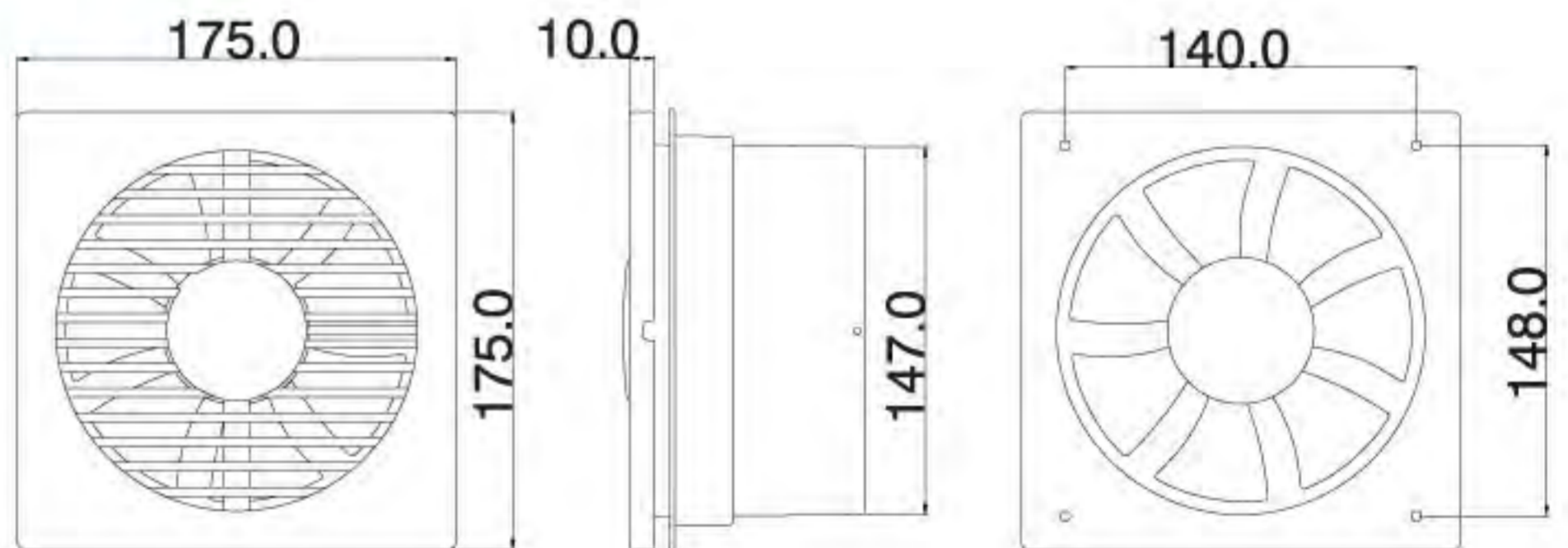
### VF-A6-H1



#### Features:

- Silicon steel motor.
- 100% Pure copper winding for long life.
- 7-Blade design for high air volume and low noise on operation.
- Built-in-thermal cut-out protector for safer use.
- Brilliant performance.
- Noiseless & Energy efficient.
- Easy to install on Wall / Glass

#### Dimension:



#### Applications:

Bathroom

Kitchen

Bedroom

Office

#### Specification:

Product	Current	Frequency	Size		Power	Air Volume	RPM	Noise	Packing Size	Quantity	Gross Wt.
	V	Hz	mm	in	W	m <sup>3</sup> /h	r/min	dB(A)	mm	Pcs.	Kg.
A6	220-240	50	150	6	20	220	2200	50	390 x 320 x 400	12	9.9

#### Colours:



White



Ivory



Black



## VENTILATING FAN - A SERIES

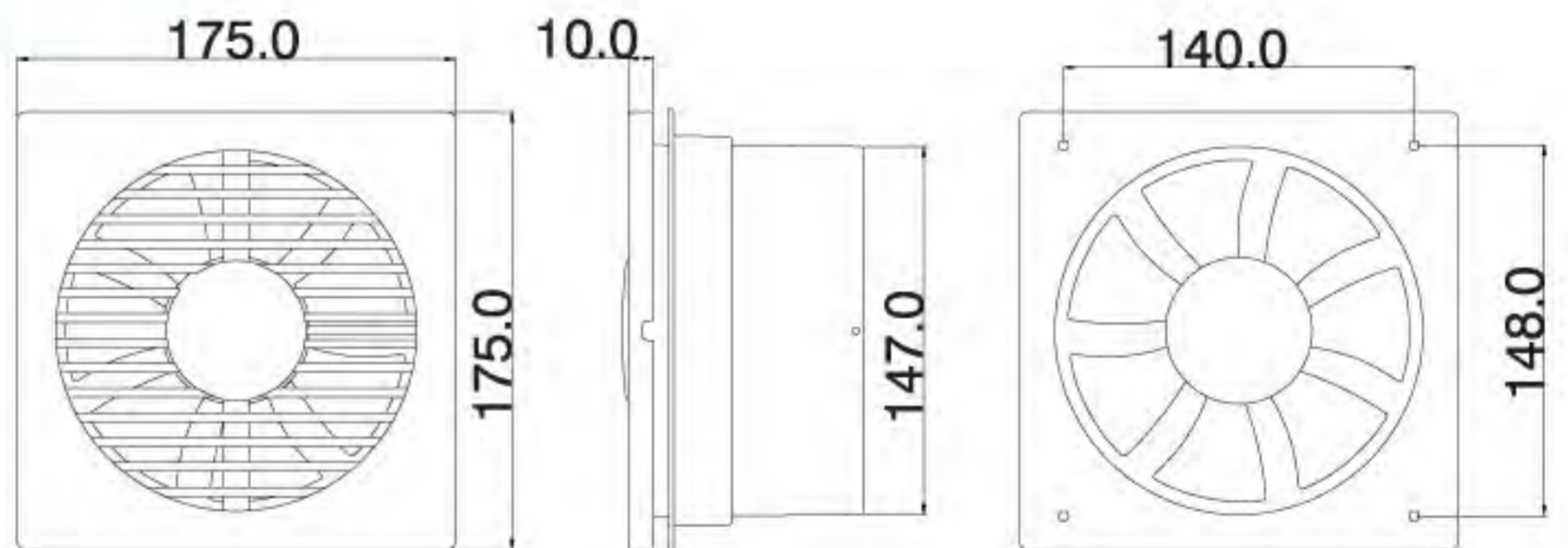
### VF-A6-L2



#### Features:

- Silicon steel motor.
- 100% Pure copper winding for long life.
- 7-Blade design for high air volume and low noise on operation.
- Built-in-thermal cut-out protector for safer use.
- Brilliant performance.
- Noiseless & Energy efficient.
- Easy to install on Wall / Glass

#### Dimension:



#### Applications:

Bathroom

Kitchen

Bedroom

Office

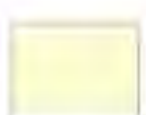
#### Specification:

Product	Current	Frequency	Size		Power	Air Volume	RPM	Noise	Packing Size	Quantity	Gross Wt.
	V	Hz	mm	in	W	m <sup>3</sup> /h	r/min	dB(A)	mm	Pcs.	Kg.
A6	220-240	50	150	6	20	220	2200	50	390 x 320 x 400	12	9.9

#### Colours:



White



Ivory



Black



## VENTILATING FAN - R SERIES

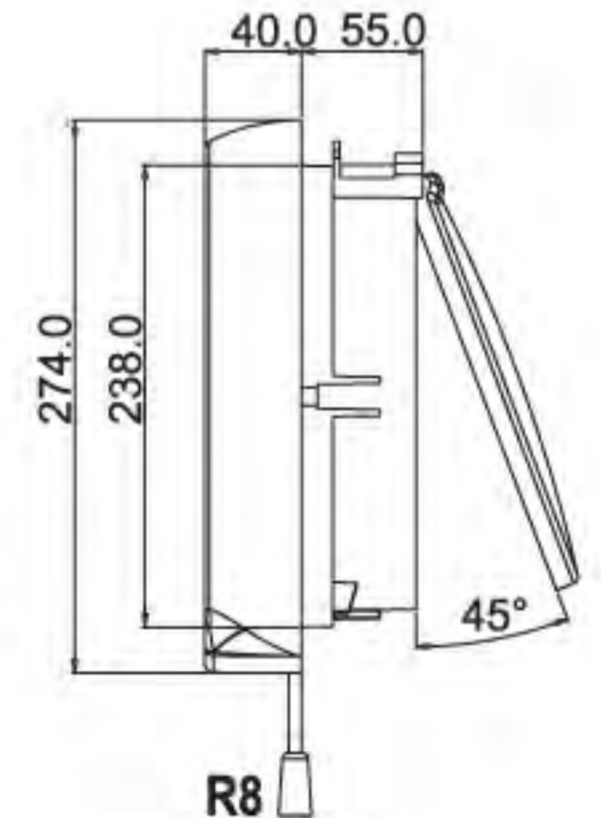
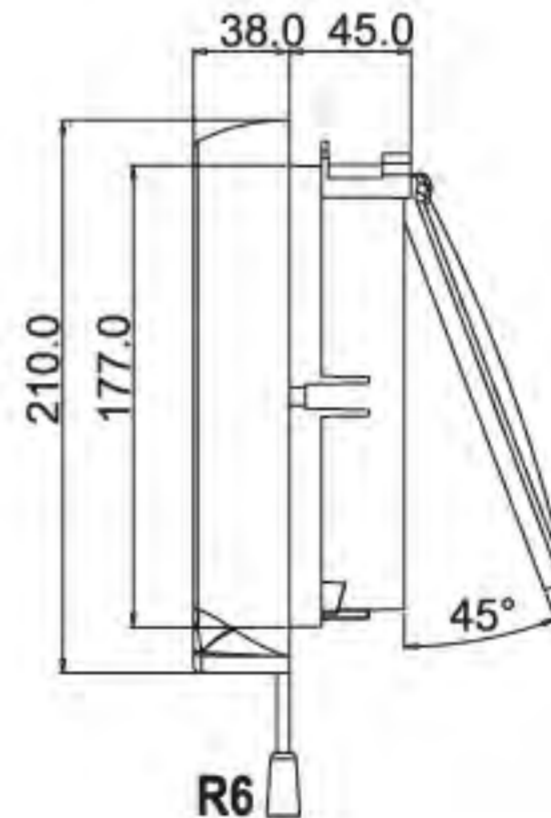
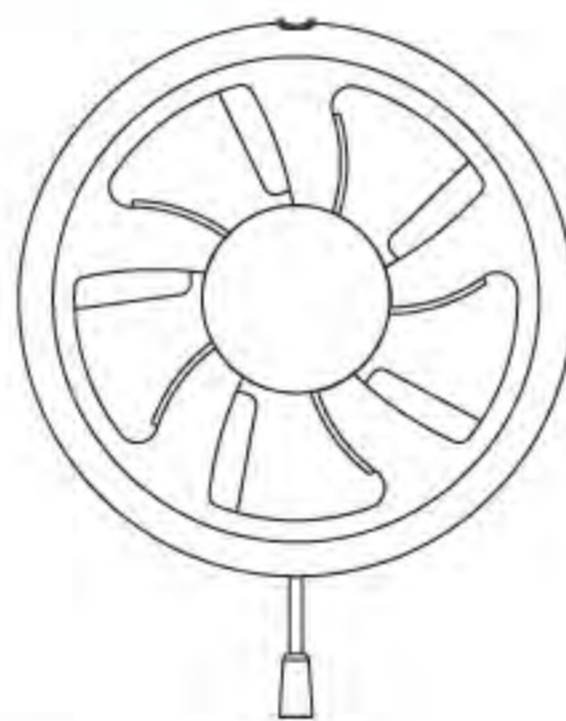
### VF-R6



#### Features:

- 100% Pure copper motor.
- 7-Blade design for high air volume and low noise on operation.
- Built in thermo fuse protection.
- Quiet & powerful air flow
- Easy to install on Wall / Glass
- Premium Japanese design.

#### Dimension:



#### Applications:

Bathroom

Kitchen

Bedroom

Office

#### Specification:

Model	Current	Frequency	Size		Power	Air Volume	RPM	Noise	Packing Size	Quantity	Gross Wt.
	V	Hz	mm	in	W	m <sup>3</sup> /h	r/min	dB(A)	mm	Pcs.	Kg.
R6	220-240	50	150	6	15	290	1750	38	450 x 300 x 460	12	8.8



## VENTILATING FAN - R SERIES

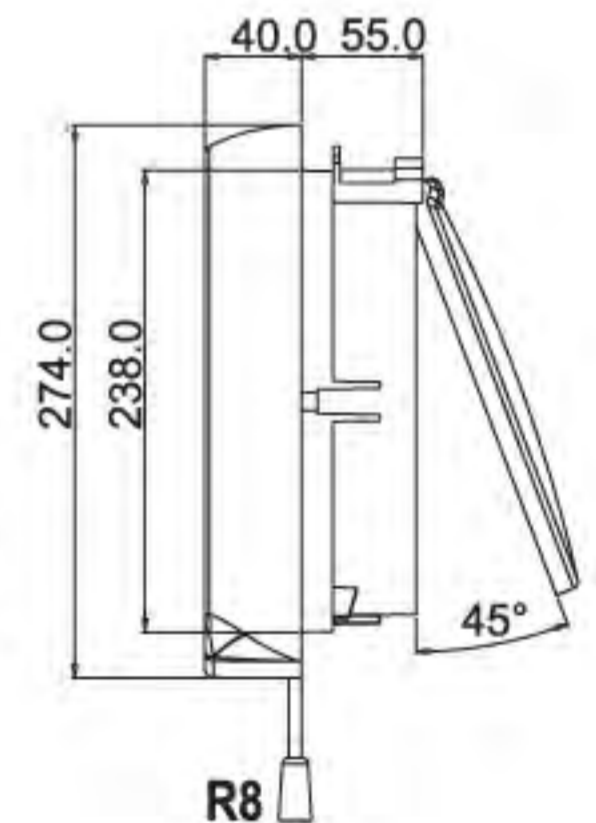
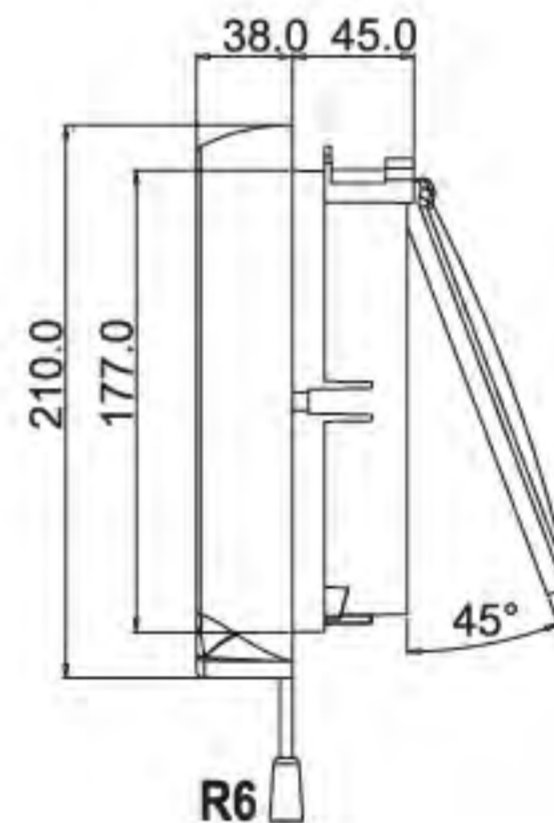
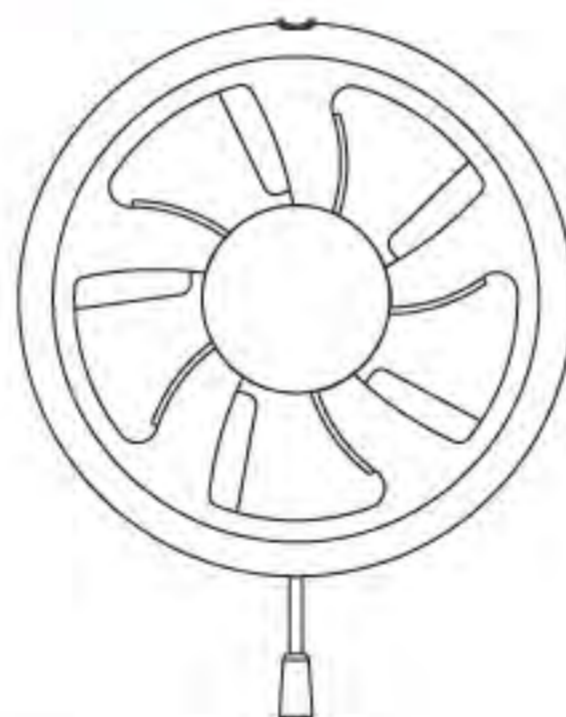
### VF-R8



#### Features:

- 100% Pure copper motor.
- 7-Blade design for high air volume and low noise on operation.
- Built in thermo fuse protection.
- Quiet & powerful air flow
- Easy to install on Wall / Glass
- Premium Japanese design.

#### Dimension:



#### Applications:

Bathroom

Kitchen

Bedroom

Office

#### Specification:

Model	Current	Frequency	Size		Power	Air Volume	RPM	Noise	Packing Size	Quantity	Gross Wt.
	V	Hz	mm	in	W	m <sup>3</sup> /h	r/min	dB(A)	mm	Pcs.	Kg.
R8	220-240	50	200	8	25	420	1650	46	580 x 360 x 590	12	13.4





## AUTOMATIC **PUMP CONTROLLERS**

Aquamatik Pump controllers are built for a quiet running operation, Non return valve built-in, pressure gauge, pressure switch and electronic control with dry running function integrated with manual reset button. Adjustable starting pressure 1.5 - 2.5 bar Plastic union connection included. It is assembled on a pump for automatic water supply.

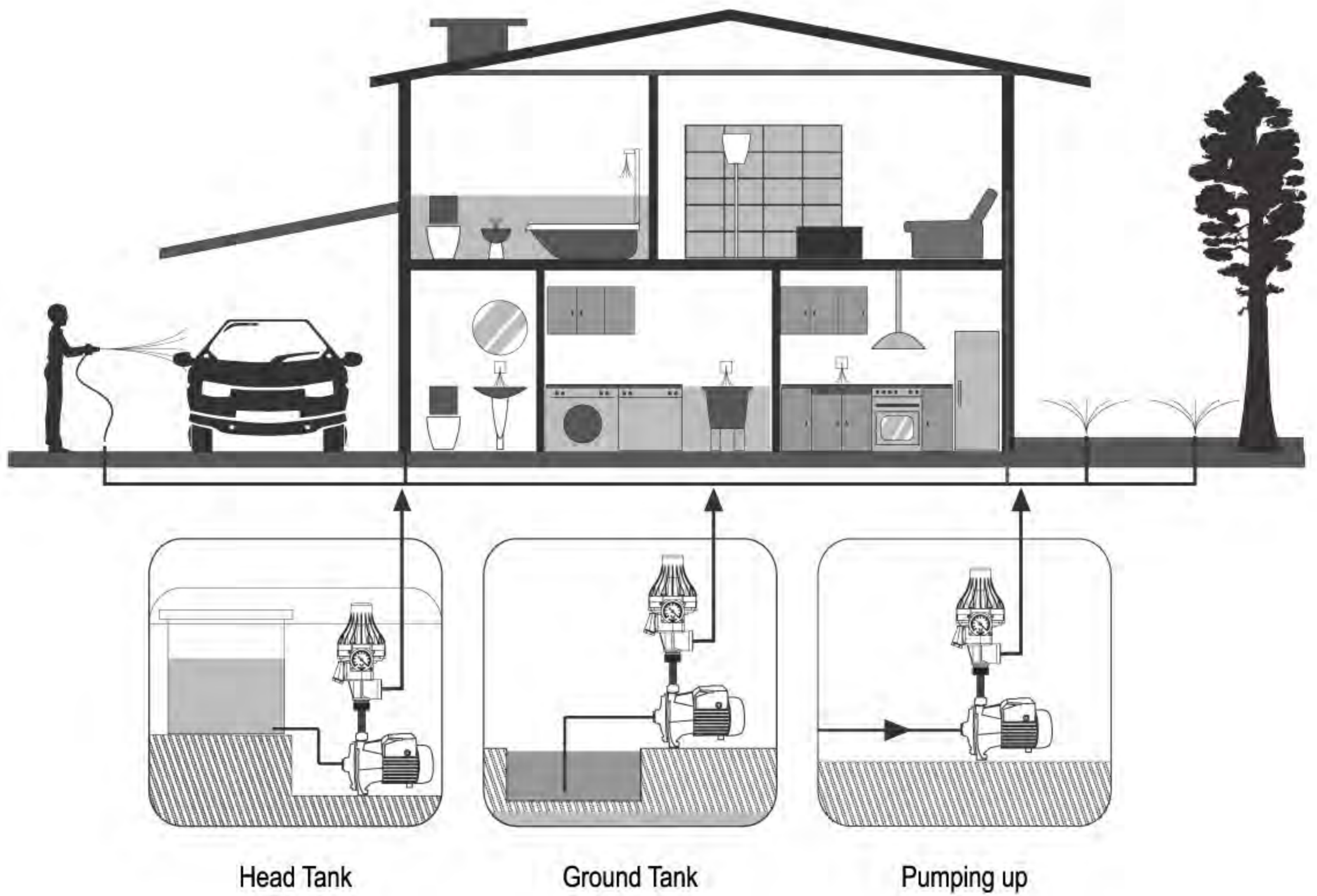
When the taps are opened it starts the electric pump automatically after a decrease in pressure. When the taps are closed the fluid flow interrupts at the maximum pressure level of the electric pump and stops the electric pump. If the pump runs without water, the controller off the pump and prevents water hammer

**Adjusting the start-up pressure -** The Start-up pressure is adjusted using the screw located on top of the Kit. Switch on a tap in the installation and read the pressure shown on the pressure guage at the moment of starting. Turn the adjusting screw in the desired direction. The start-up pressure should normally be set 0.3 bar over the static pressure of the installation above the kit.

**Aquamatik pump controller is successfully tested up to 50,000 cycles which is more than 3 years of life in normal working conditions.**

## AUTOMATIC PUMP CONTROLLER

### Installation Models



## AUTOMATIC PUMP CONTROLLER

### PC-02 / PC-02A (Adjustable Starting Pressure)



PC-02

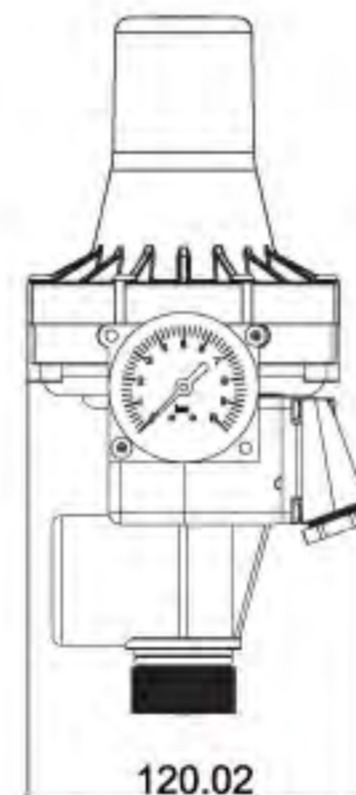
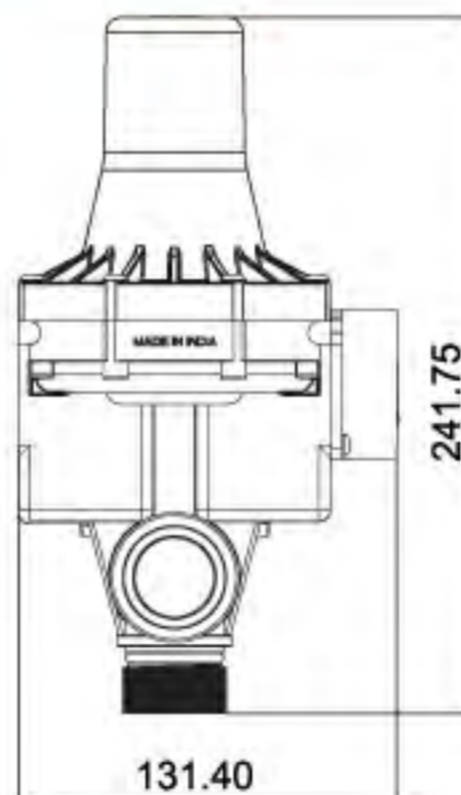


PC-02A

#### Features:

- No Noise, Complete silent.
- Built in reset button
- Automatic start and stop of pump
- Protection against dry running
- Over heat protection
- Examine the water automatically
- Forced start

#### Dimension:



#### Adjustable Screw



#### Specification:

Model	Current	Freq.	Max. Current	Max. Power	Starting Pressure	Max. Pressure	Connect- ing threads	Operating temp	IP Rating	Packing Size	Quantity	Gross Wt.
	V	Hz	A	Kw	Bar	Bar		°C		mm		
PC-02	220-240	50/60	10	1.1	1.5	10	G1- ISO 228	0-60	IP 65	510 x 430 x 280	12	13
PC-02A	220-240	50/60	10	1.1	1.5 - 2.5	10	G1- ISO 228	0-60	IP 65	510 x 430 x 280	12	13



## AUTOMATIC PUMP CONTROLLER

### PC-03 / PC-03A (Adjustable Starting Pressure)



PC-03

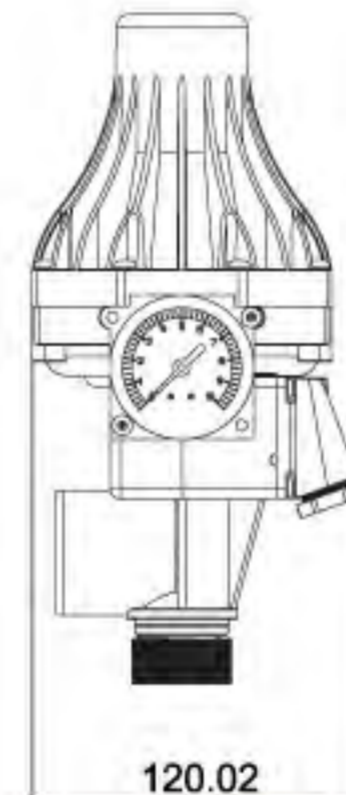
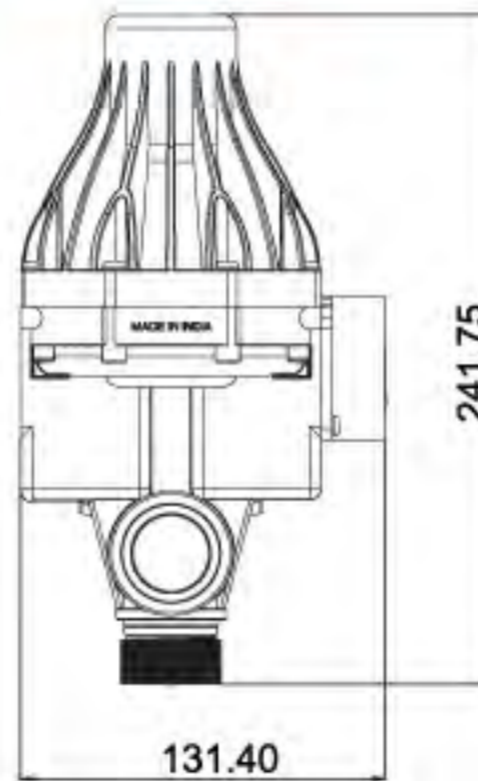


PC-03A

#### Features:

- No Noise, Complete silent.
- Built in reset button
- Automatic start and stop of pump
- Protection against dry running
- Over heat protection
- Examine the water automatically
- Forced start

#### Dimension:



#### Adjustable Screw



#### Specification:

Model	Current	Freq.	Max. Current	Max. Power	Starting Pressure	Max. Pressure	Connect-ing threads	Operating temp	IP Rating	Packing Size	Quantity	Gross Wt.
	V	Hz	A	Kw	Bar	Bar		°C		mm		
PC-03	220-240	50/60	10	1.1	1.5	10	G1-ISO 228	0-60	IP 65	510 x 430 x 280	12	13
PC-03A	220-240	50/60	10	1.1	1.5 - 2.5	10	G1-ISO 228	0-60	IP 65	510 x 430 x 280	12	13





## AUTOMATIC PUMP CONTROLLER

### PC-04 / PC-04A (Adjustable Starting Pressure)



PC-04

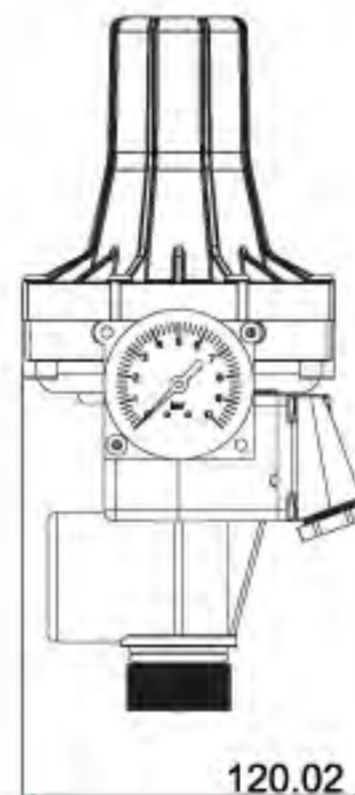
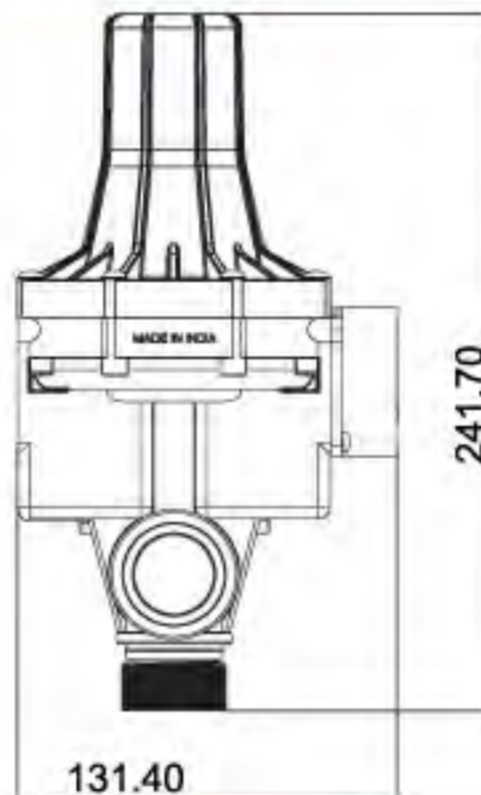


PC-04A

#### Features:

- No Noise, Complete silent.
- Built in reset button
- Automatic start and stop of pump
- Protection against dry running
- Over heat protection
- Examine the water automatically
- Forced start

#### Dimension:



#### Adjustable Screw



#### Specification:

Model	Current	Freq.	Max. Current	Max. Power	Starting Pressure	Max. Pressure	Connect- ing threads	Operating temp	IP Rating	Packing Size	Quantity	Gross Wt.
	V	Hz	A	Kw	Bar	Bar		°C		mm		
PC-04	220-240	50/60	10	1.1	1.5	10	G1- ISO 228	0-60	IP 65	510 x 430 x 280	12	13
PC-04A	220-240	50/60	10	1.1	1.5 - 2.5	10	G1- ISO 228	0-60	IP 65	510 x 430 x 280	12	13



## AUTOMATIC PUMP CONTROLLER

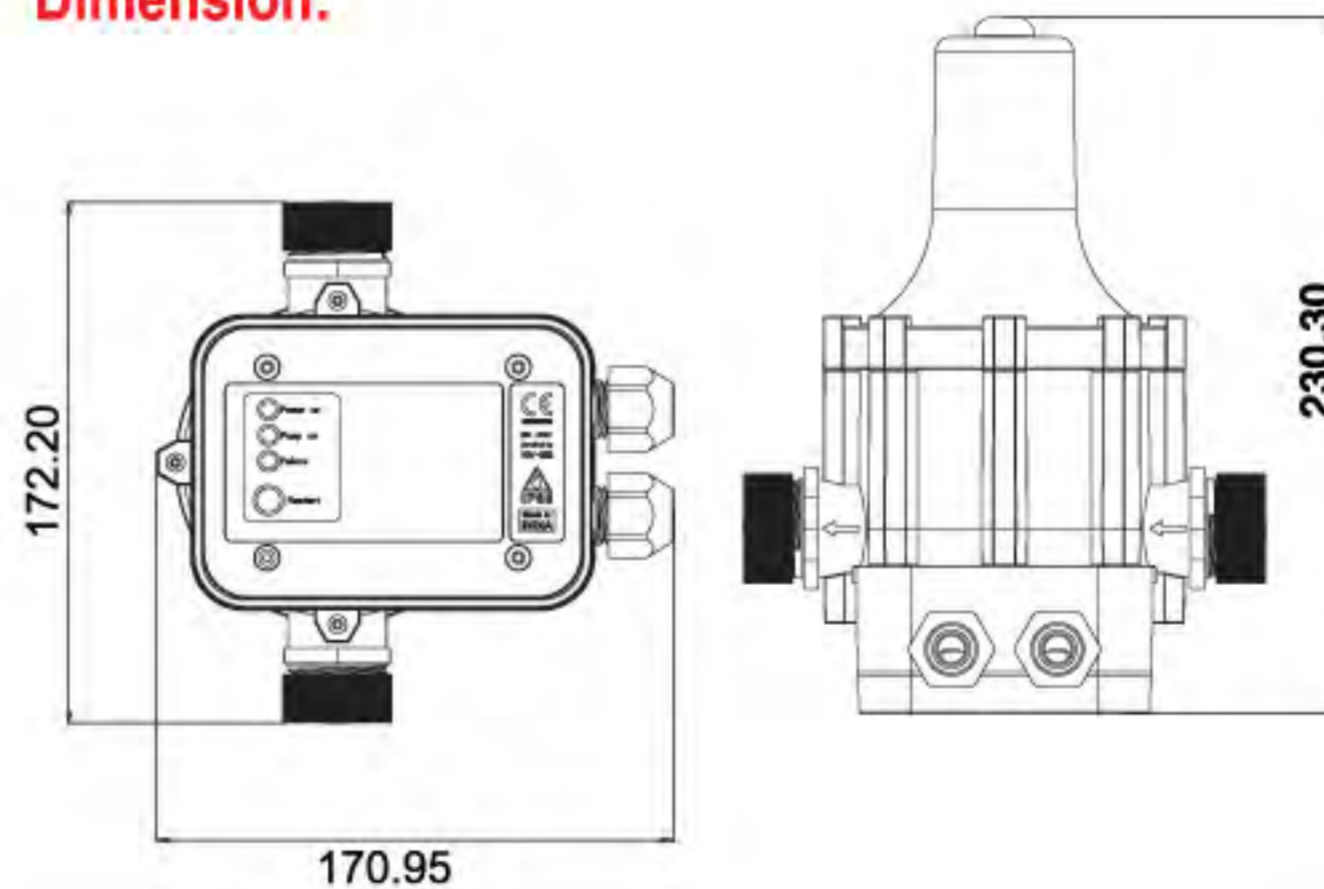
### PC-10



#### Features:

- No Noise, Complete silent.
- Built in reset button
- Automatic start and stop of pump
- Protection against dry running
- Over heat protection
- Examine the water automatically
- Forced start

#### Dimension:



#### Specification:

Current	Freq.	Max. Current	Max. Power	Starting Pressure	Max. Pressure	Connect- ing threads	Operating temp	IP Rating	Packing Size	Quantity	Gross Wt.
V	Hz	A	Kw	Bar	Bar		°C		mm	Pcs.	Kg.
220-240	50/60	10	1.1	1.5	10	G1- ISO 228	0-60	IP 65	510 x 430 x 280	12	13



## AUTOMATIC PUMP CONTROLLER

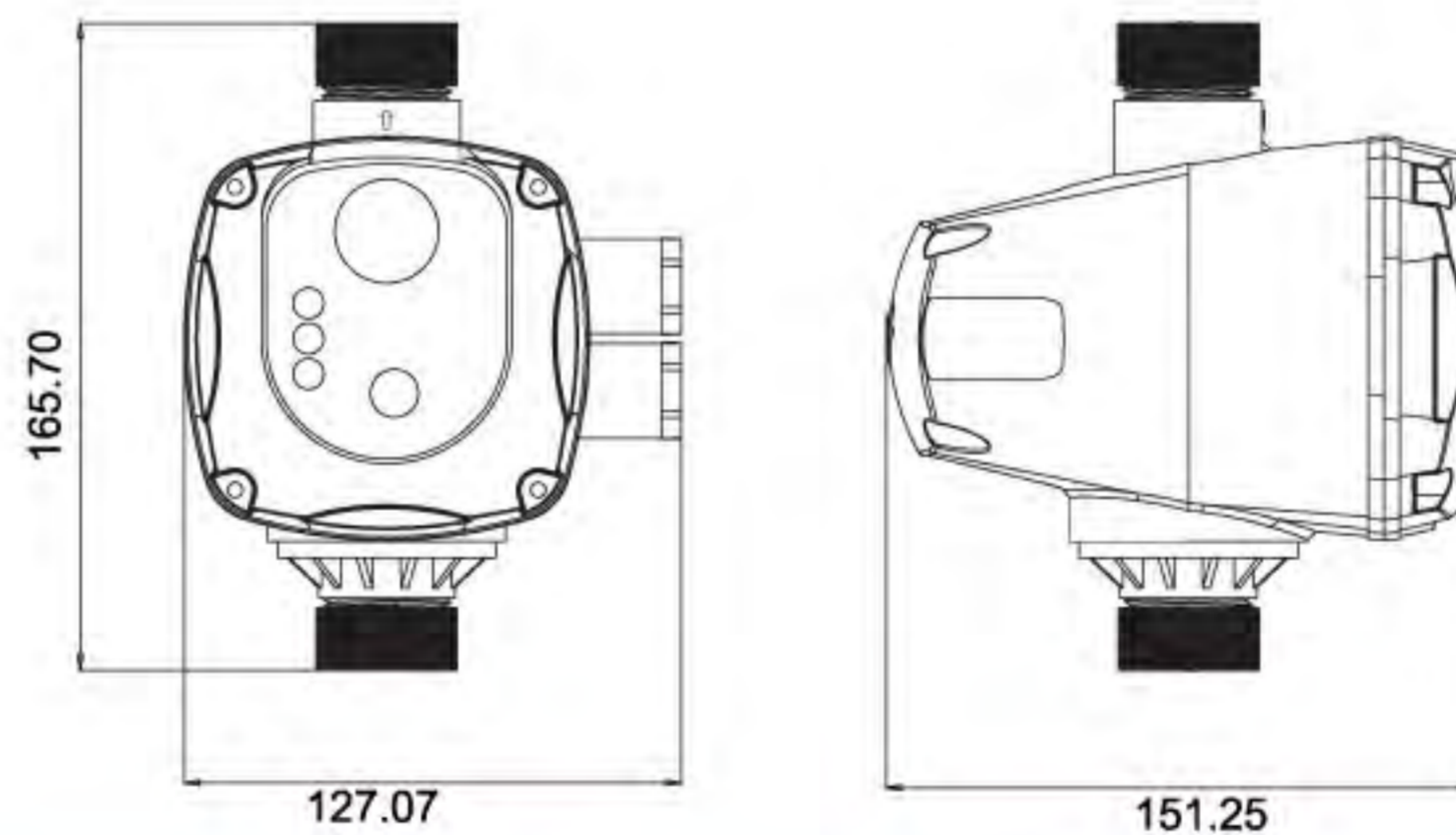
### PC-15



#### Features:

- No Noise, Complete silent.
- Built in reset button
- Automatic start and stop of pump
- Protection against dry running
- Over heat protection
- Examine the water automatically
- Forced start

#### Dimension:



#### Specification:

Current	Freq.	Max. Current	Max. Power	Starting Pressure	Max. Pressure	Connect- ing threads	Operating temp	IP Rating	Packing Size	Quantity	Gross Wt.
V	Hz	A	Kw	Bar	Bar		°C		mm	Pcs.	Kg.
220-240	50/60	10	1.1	1.5	10	G1- ISO 228	0-60	IP 65	510 x 430 x 280	12	13





## FLOAT SWITCH

Aquamatik float switch is extensively used for all types of water level controllers. It is water proof and stays above the water level. It is also resistant to corrosion and abrasion. The advanced automatic float switch can actuate a pump, an indicator, an alarm, or other device.

Use them with hydroponics, saltwater tank, freshwater tank, gardening, aquariums for power head control, pet bowls, fish tanks, filtration, heating, pumps, ponds, basement alarms, boats, air condition drain pans, pressure washers, carpet cleaning mach, reef aquarium, fluid control, ice machines, coffee pots, marine, automotive, automobiles, tropical fish tanks, evaporator coils, condensation line, in relays, or what ever your project may be.

**It can be easily converted from normally open to normally close by inverting the float. The float switch is endurance tested mechanically and electrically for 100,000 switching.**

## FLOAT SWITCH

### FS-15

#### Features:

- Longer service life
- Quality-tested
- Fine finish
- Suitable for installation on submersible pumps, water tanks and water systems
- Auto-filling & Auto-emptying configurable.



#### Specification:

Current	Freq.	Max. Current	Max. Power	Operating temp	IP Rating	Packing Size	Quantity	Gross Wt.
V	Hz	A	Kw	°C		mm	Pcs.	Kg.
220-240	50/60	16	1.5	0-60	IP 67	630 x 330 x 230	12	15



## FLOAT SWITCH

### FS-15M

#### Features:

- Longer service life
- Quality-tested
- Fine finish
- Suitable for installation on submersible pumps, water tanks and water systems
- Auto-filling & Auto-emptying configurable.



#### Specification:

Current	Freq.	Max. Current	Max. Power	Operating temp	IP Rating	Packing Size	Quantity	Gross Wt.
V	Hz	A	Kw	°C		mm	Pcs.	Kg.
220-240	50/60	25	1.5	0-60	IP 67	630 x 330 x 230	12	15





**HEALTH  
FAUCET  
(SHATTAF)**

## HEALTH FAUCET (SHATTAF)

### CLASSIC

Ideal to use for all forms of personal hygiene.

#### Features

- Trigger & Nozzle gives a long life and rich appearance.
- Highly polished specialty polymer body helps to maintain cleanliness.
- Simple, Yet pleasing smooth finish.
- C1 - 120 cm PVC flexible hose.
- C2 - 120 cm Braided hose.
- Switching mechanism endurance tested for 100000 operations.
- Complies with recommended pressure ratings.
- Wall bracket with screw.



ST - CLASSIC 1

ST - CLASSIC 2



## HEALTH FAUCET (SHATTAF)

### ROYAL

Ideal to use for all forms of personal hygiene.



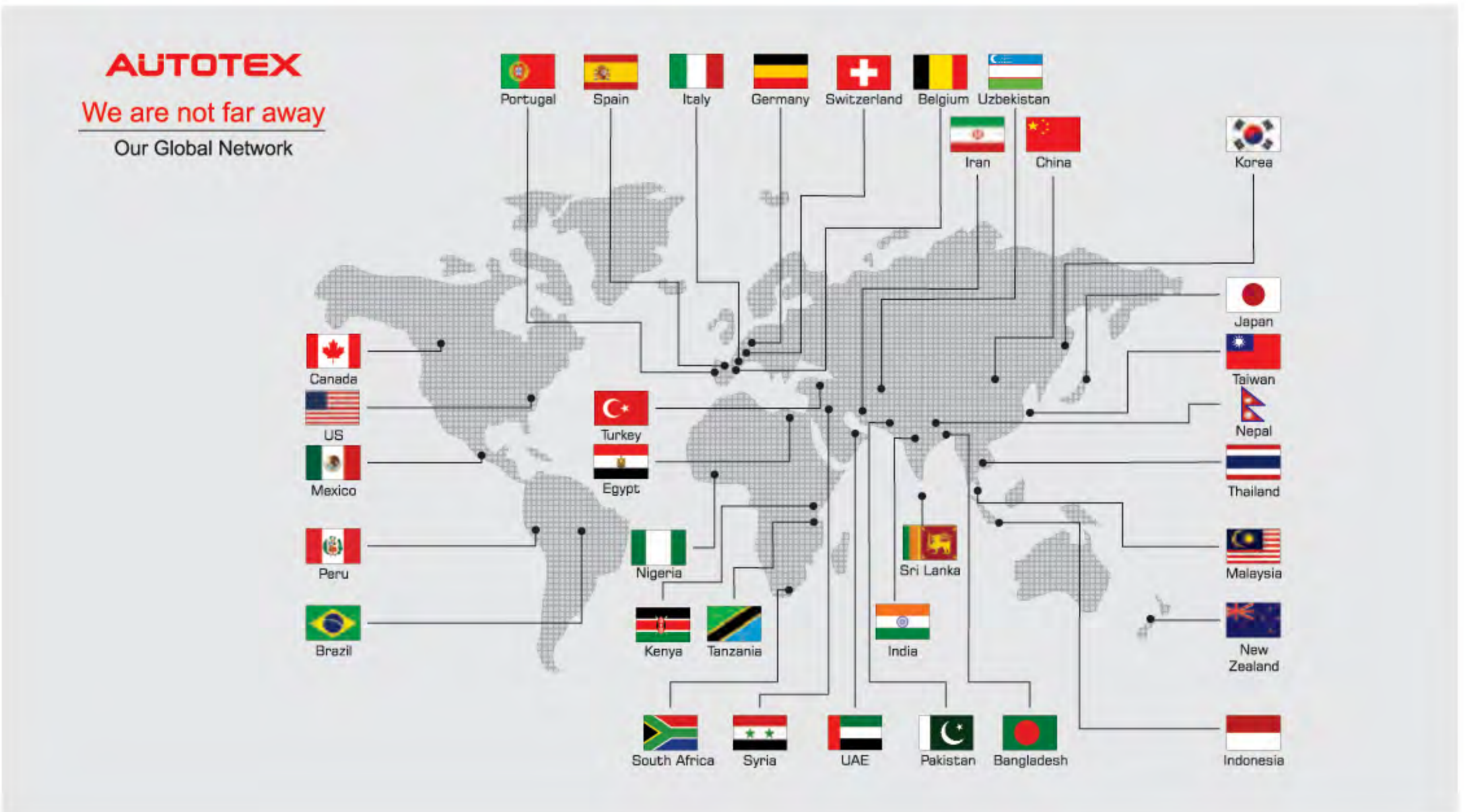
#### Features

- Simple, yet pleasing smooth design.
- Hand shower with chrome plated trigger.
- Anti-Rust 120 cm fish net flexible hose.
- Wall bracket with screw.
- Complies with recommended pressure ratings.





**AUTOTEX** wind farm at Karnataka - India



Regd. Office: 13/20, Sitra - Kalapatty road, Coimbatore - 641 014. INDIA  
Phone: +91 422 4321515 | Web: [www.autotex.net](http://www.autotex.net) | E-mail: [info@autotex.net](mailto:info@autotex.net)